



More flexible, more versatile

Philips Practix 360 Mobile X-ray system

For high quality X-ray imaging of stationary patients, rely on Philips Practix 360 mobile X-ray system. This light, compact and economical system has a unique design with four swivel wheels that allow movement in all directions. You can easily maneuver through narrow corridors or between close rows of beds. It provides longlasting performance for a full range of routine procedures, and a number of special features make it ideal for pediatric examinations. All this is supported by Philips global service network which helps customers get the highest possible uptime and productivity from the system.

Key advantages

- Get quick and easy access to patients anywhere with a unique, all-round movement and simple operation
- Perform a full range of routine and pediatric X-ray examinations with high quality images
- Depend on reliable operation through robust design and Philips global service network

PHILIPS
sense and simplicity

Practix 360 highlights



Get superb pediatric images with the system's short exposure times and small foci

Quick and easy access with 360° movement

The Practix 360 weighs about 30% less, moves more flexibly, and is more compact than conventional mobile X-ray systems, so it can be easily transported to the OR, ER, ICU or wards. You can easily turn the system in tight spaces and get close to the bed thanks to the all-round movement and fixed SID laser light option.

Every Practix 360 is equipped with a LED collimator light that is 150% brighter as conventional collimator lights and creates more contrast under ambient lighting conditions.

Supports routine and pediatric examinations

The 30 kW generator option supports a wide range of demanding X-ray examinations and enhances image quality for a number of procedures. Only the Practix 360 comes with a built-in pediatric filter and high-resolution X-ray tube option with a short 1 ms exposure time setting and two small foci to provide crisp, virtually artifact-free images for pediatric examinations.

The high-speed X-ray tube supports bariatric examinations as well. Get instant feedback on X-ray dose with the dose area product measurement option. Patient dose can be efficiently managed using the thermal printer option which is available for the dosimeter. A bucky unit interface allows you to further expand your application range. To digitize your radiography images, you can complement the Practix 360 with the PCR Eleva (Philips Computed Radiography) that combines reliable reader technology with digital radiography-like image quality and a clear, intuitive Eleva user interface.

Reliable operation

The Practix 360 is solidly constructed of durable materials and a robust design to provide reliable and uninterrupted operation. Service maintenance and repair can be quickly carried out. The system is also backed by Philips long experience in mobile X-ray equipment and its global resources. Over 6,000 service technicians provide professional support to customers in every corner of the world, 24 hours a day, seven days a week. This ensures the highest possible uptime and maximum productivity.



Easily maneuver the system on the oversized, freely moving wheels



The fixed SID laser light option shows the Source to Image position at 100 cm to allow quick positioning



Maneuver the unit conveniently with the wheel control handle that lets you lock the wheels whenever needed



The system can be easily operated with the user interface which is intuitive to use and easy to clean

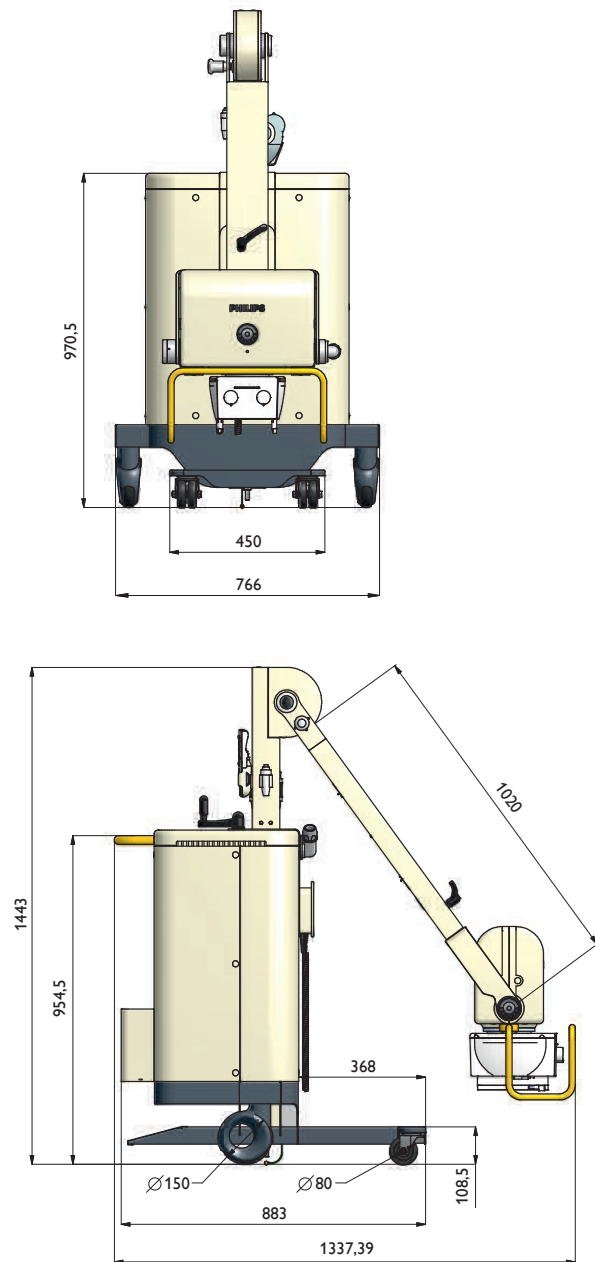


The system weighs about 30% less than other systems and includes a handy hook to simplify transportation



The system can be positioned at the end of the bed to easily perform chest examinations

Dimensions



All dimensions are in mm

This product is not available for sale in North America.

High level specifications

Basic unit	
Type	Mobile X-ray unit with X-ray tube arm
Dimensions in mm (l x w x h)	
In operation	880 mm x 766 mm x 2384 mm
In transport	1337 mm x 766 mm x 1443 mm
Cassette storage	Radiation-protected for up to 5 cassettes (35 cm x 43 cm) or 4 cassettes (35 cm x 43 cm)
Source-floor distance	45.3 cm to 204.7 cm
Weight	175 kg
Generator	
Type	Microprocessor-controlled X-ray converter generator
Nominal power	16 kW (100 kV, 160 mA, 100 ms), 30 kW (100 kV, 300 mA, 100 ms)
Tube voltage	40 kV to 125 kV in 1 kV steps
Maximum tube current	200 mA (16 kW), 300 mA (30 kW)
Tube current time product	0.1 mAs to 220 mAs at 40 kV 0.1 mAs to 90 mAs at 125 kV
Mains supply	230V/115V -15% - +10%, single phase, 50 Hz (60 Hz)
Mains fuse	16A
Preparation time	0.8s
Exposure times	1 ms to 2s
X-ray tube	
Type	Rotating-anode X-ray tube
Anode material	Rhodium, Tungsten, Molybdenum
Nominal focal spot	0.8; 1.3
Anode angle	15°
Maximum radiation field	43 cm x 43 cm
Monobloc rotation around the arm axis	±180° α -swivel
Monobloc rotation around its axis	184° (+144° ÷ -40° towards the vertical axis at arm in horizontal position), γ -swivel
Options	
30 kW Generator	
High speed tube for 30 kW Generator	
Fixed SID laser light	
Wireless remote control	
Diamentor with thermal printer	

Please visit www.philips.com/Mobile_Radiography



© 2010 Koninklijke Philips Electronics N.V.
All rights are reserved.

Philips Healthcare reserves the right to make changes in specifications and/or to discontinue any product at any time without notice or obligation and will not be liable for any consequences resulting from the use of this publication.

Philips Healthcare is part of Royal Philips Electronics

www.philips.com/healthcare
healthcare@philips.com

Printed in The Netherlands
4522 962 62021 * JUN 2010